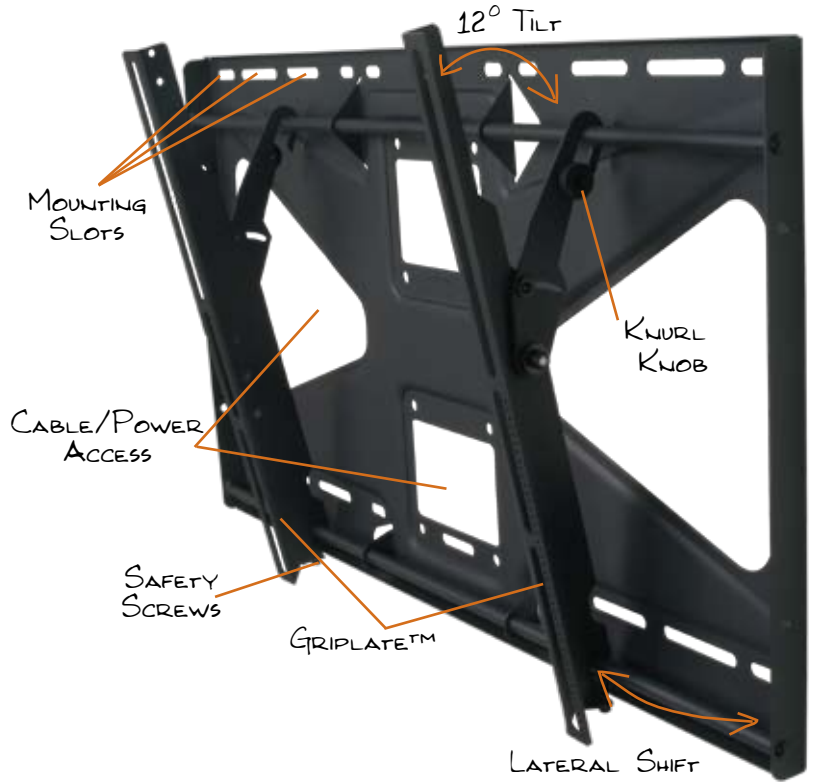
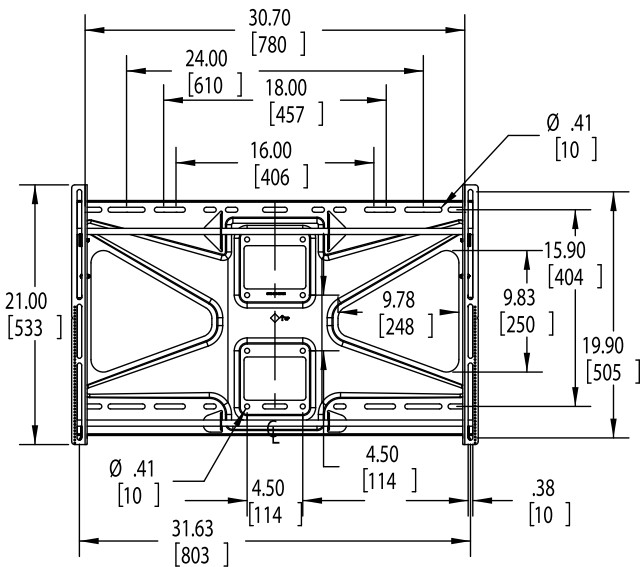


# MODEL CTM-MS2 UNIVERSAL FLAT-PANEL MOUNT

FLAT-PANEL TILTING 37"-61" CATEGORY FUNCTION RANGE



Dimensions in inches and millimeters [mm]  
Drawings subject to change without notice

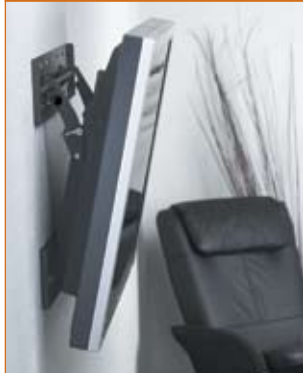
## MODELS AND OPTIONAL ACCESSORIES

| MODEL                | DESCRIPTION               | LIST PRICE |
|----------------------|---------------------------|------------|
| CTM-MS2              | Black                     | \$200.00   |
| GB-INWAVP (Optional) | In-Wall AV Power GearBox™ | TBD        |
| PCB-CSL1 (Optional)  | Cable Lock                | \$50.00    |

## FEATURES

- Multiple 16", 18" and 24" center mounting slots
- Built-in lateral shift for precise placement
- Unique Griplate™ System secures flat-panel to back plate
- Set screws and knobs for safety once installed
- Floor stand / ceiling and wall mount
- Cable and power box access

## RECOMMENDED APPLICATIONS



- HOSPITALITY
- HOME
- EDUCATION
- CORPORATE
- RETAIL
- DIGITAL SIGNAGE

## SPECIFICATIONS

|                    |                         |
|--------------------|-------------------------|
| DISPLAY SIZE       | 37"-61"                 |
| TILT               | 12°                     |
| DEPTH FROM WALL    | 2.45" (62mm)            |
| MOUNTING PATTERN   | Up to 695mmx500mm (WxH) |
| MAX DISPLAY WEIGHT | 160 lbs. (73 kgs.)      |
| COLOR              | Black                   |

